

Product data sheet

Characteristics

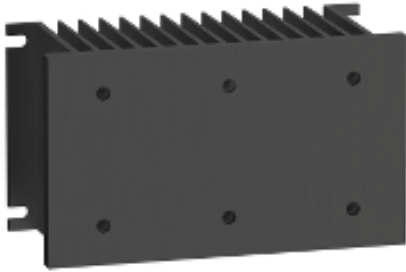
SSRHP10

Harmony, Heat sink, panel mount, thermal resistance 1 °C/W



Product availability: Non-Stock - Not normally stocked in distribution facility

Price*: 32.90 USD



Main

Range of product	Harmony Solid State Relays
Product or component type	Heat sink

Complementary

Product compatibility	1 solid state relay SSP panel
Thermal resistance	1 °C/W
Mounting support	Panel
Material	Aluminium
Surface finish	Black anodized
Surface and useful surface	220.88 In ² (1425 cm ²)
Number of mounting holes	6 UNC 8-32
Tightening torque	15.05...19.47 Lbf.In (1.7...2.2 N.m)
Sale per indivisible quantity	1
Width	3.00 In (76.2 mm)
Height	5.20 In (132.1 mm)
Depth	2.37 In (60.2 mm)
Net Weight	1.37 Lb(US) (0.620 kg)

Ordering and shipping details

Category	22375 - INTERFACE MODULE(ABA,R,S)
Discount Schedule	CP2
GTIN	03606480580239
Nbr. of units in pkg.	1
Package weight(Lbs)	17.53 Oz (497 g)
Returnability	No
Country of origin	CN

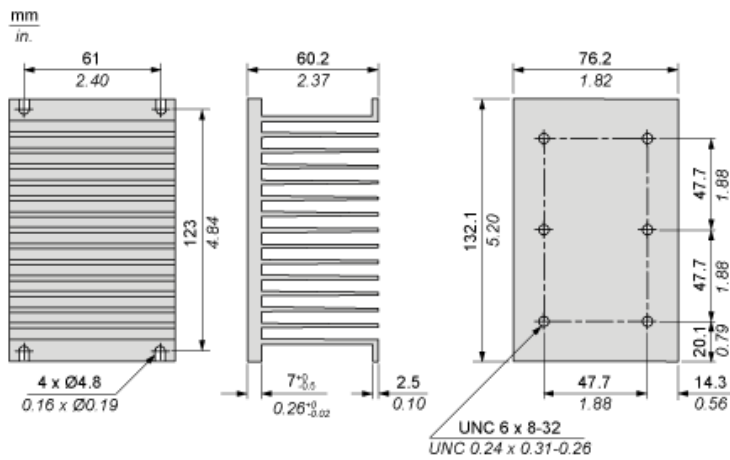
Packing Units

Unit Type of Package 1	PCE
Package 1 Height	3.15 In (8 cm)
Package 1 width	3.78 In (9.6 cm)
Package 1 Length	5.98 In (15.2 cm)

Offer Sustainability

Sustainable offer status	Green Premium product
California proposition 65	WARNING: This product can expose you to chemicals including: Nickel compounds, which is known to the State of California to cause cancer, and Di-isodecyl phthalate (DIDP), which is known to the State of California to cause birth defects or other reproductive harm. For more information go to www.P65Warnings.ca.gov
REACH Regulation	REACH Declaration
REACH free of SVHC	Yes
EU RoHS Directive	Pro-active compliance (Product out of EU RoHS legal scope) EU RoHS Declaration
Toxic heavy metal free	Yes
Mercury free	Yes
RoHS exemption information	Yes
China RoHS Regulation	China RoHS Declaration
Environmental Disclosure	Product Environmental Profile

Dimensions



Product Life Status : **Commercialised**